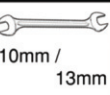
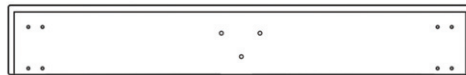
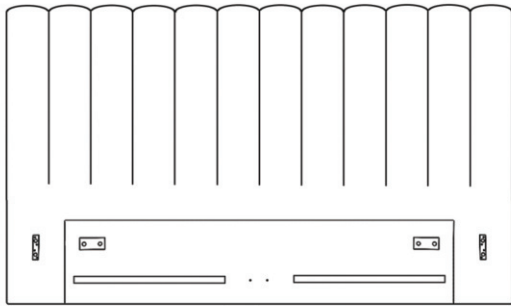
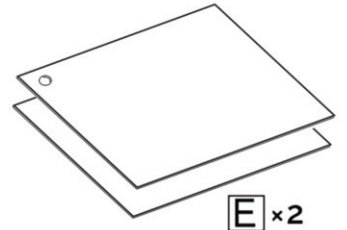
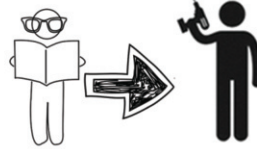
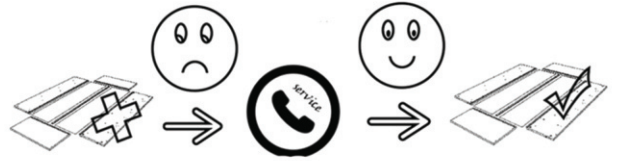
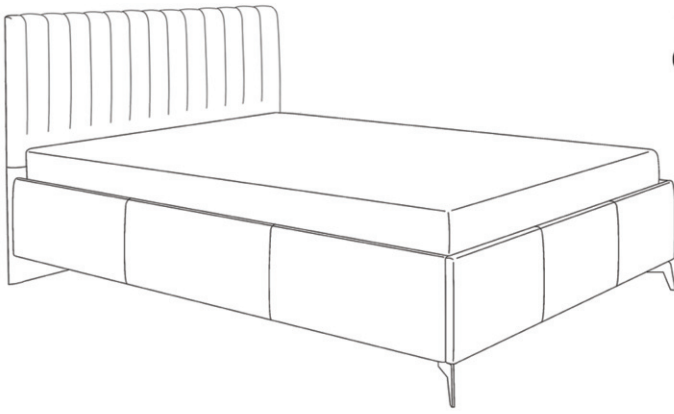


MELODY

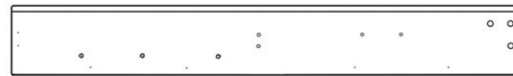
90min



BED WITH STORAGE



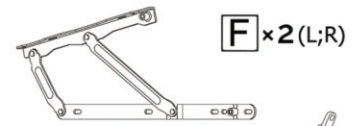
B x 1



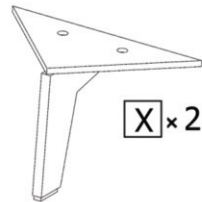
C1 x 1



C2 x 1



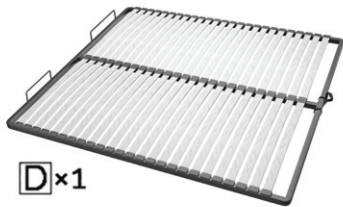
F x 2 (L;R)



X x 2



Z2 x 2



D x 1



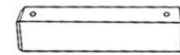
G x 1



Y x 4



I x 1



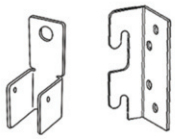
H x 3



J x 3



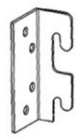
Z x 4



K x 1



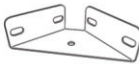
W x 2



L x 2



M x 2



N x 2



O x 14

M8x20



P x 9



R x 32



S x 1

ø8x20

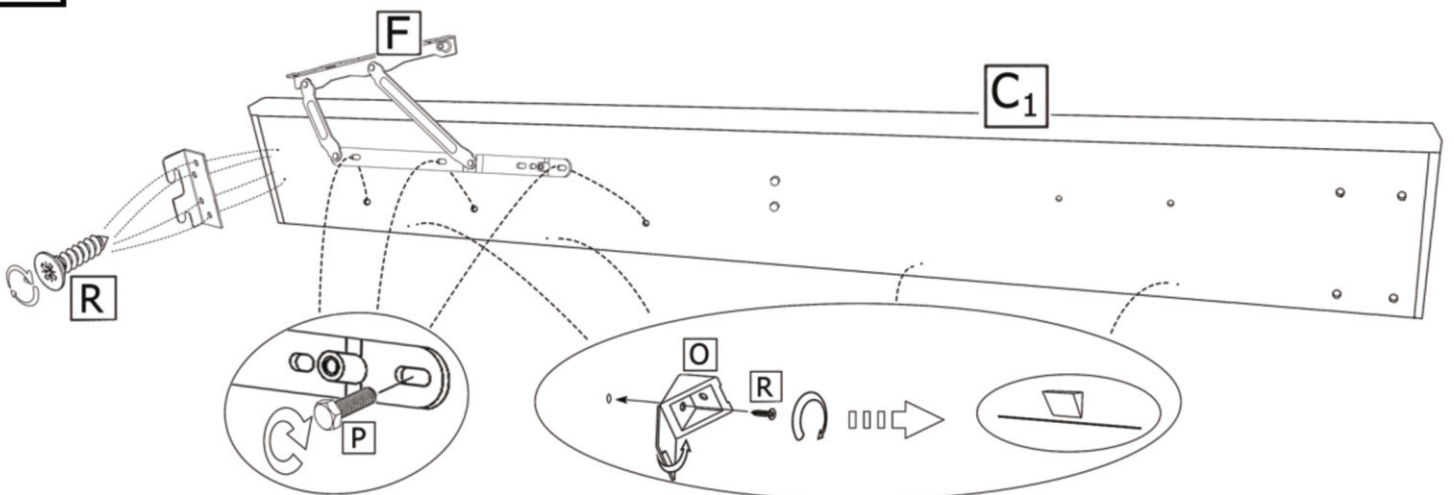


T x 20

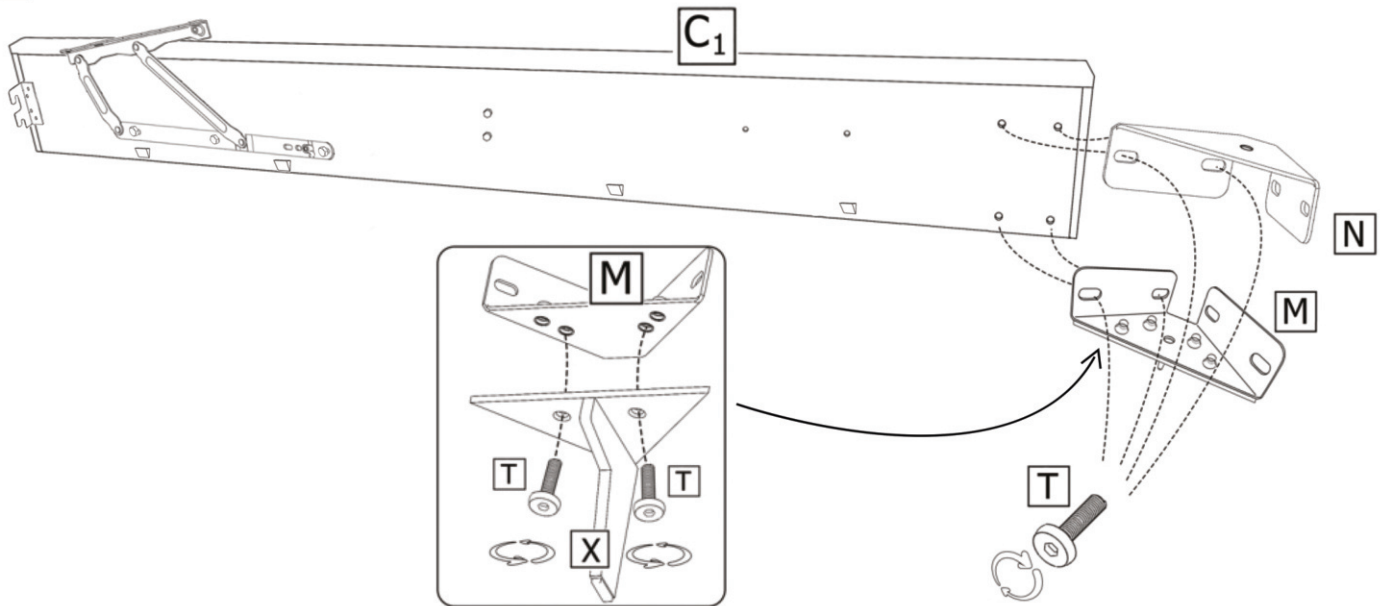


U x 6

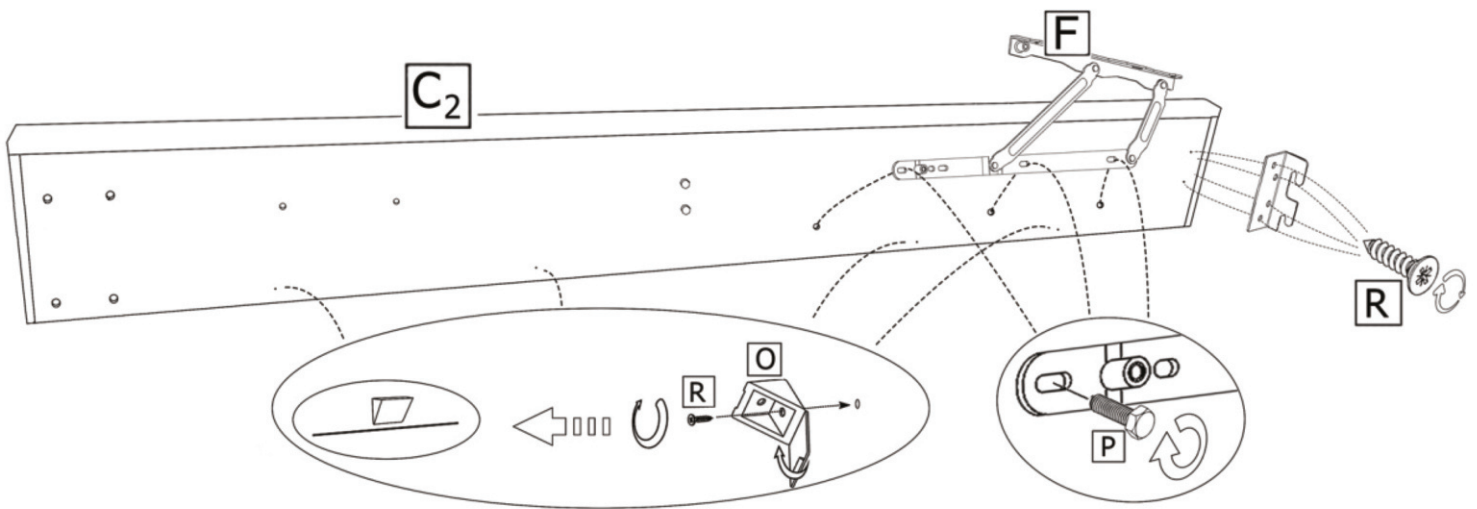
1



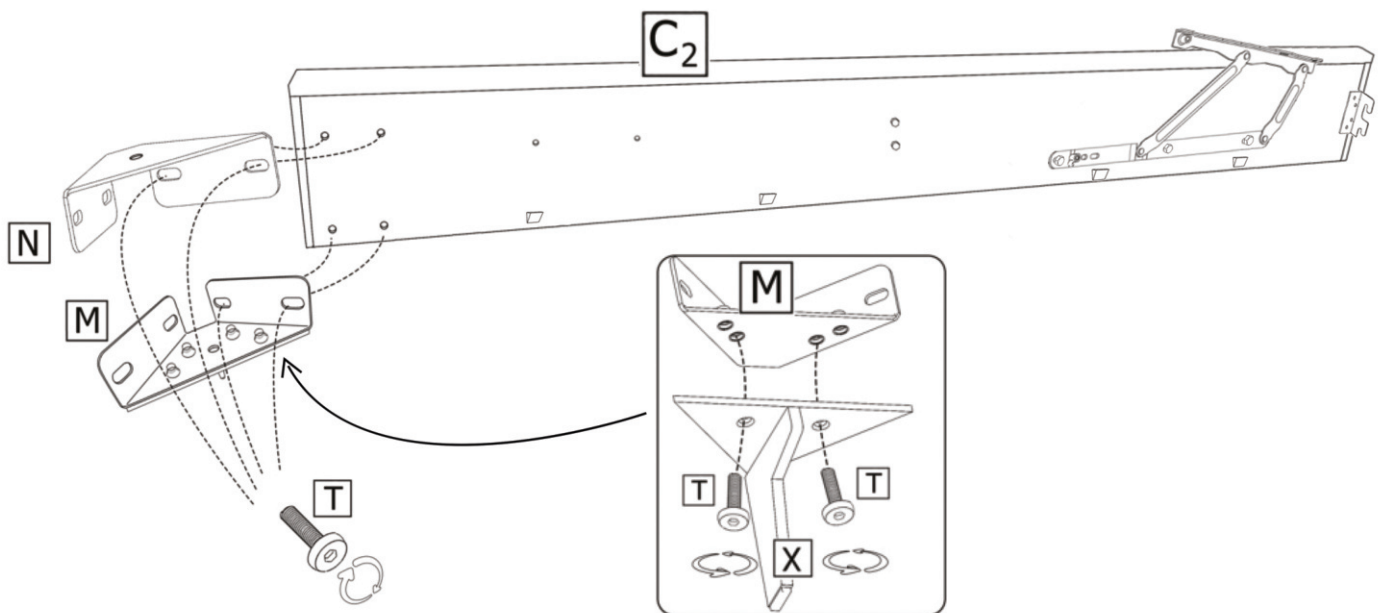
2



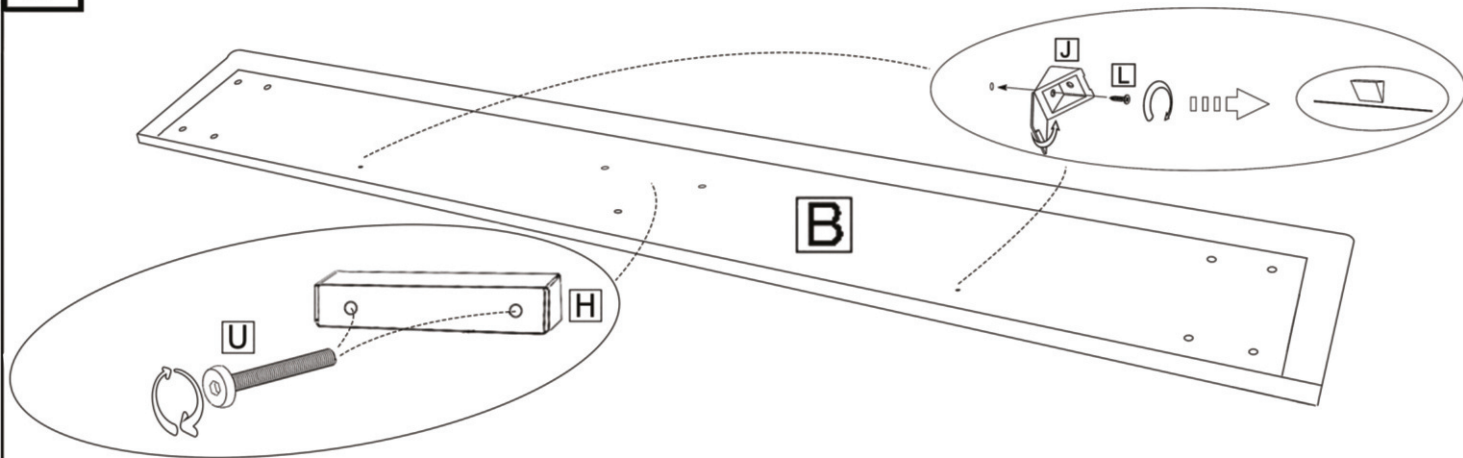
3



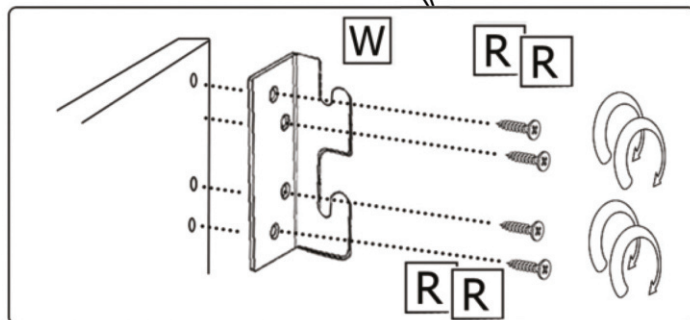
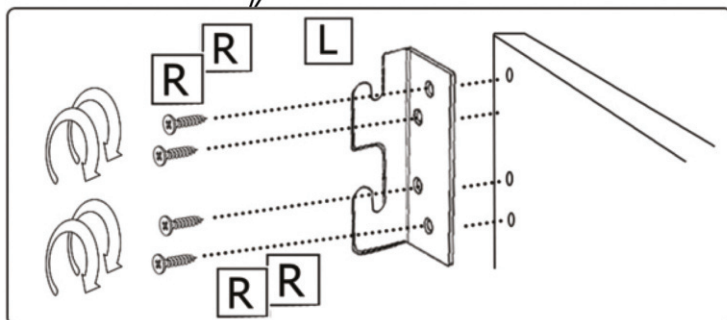
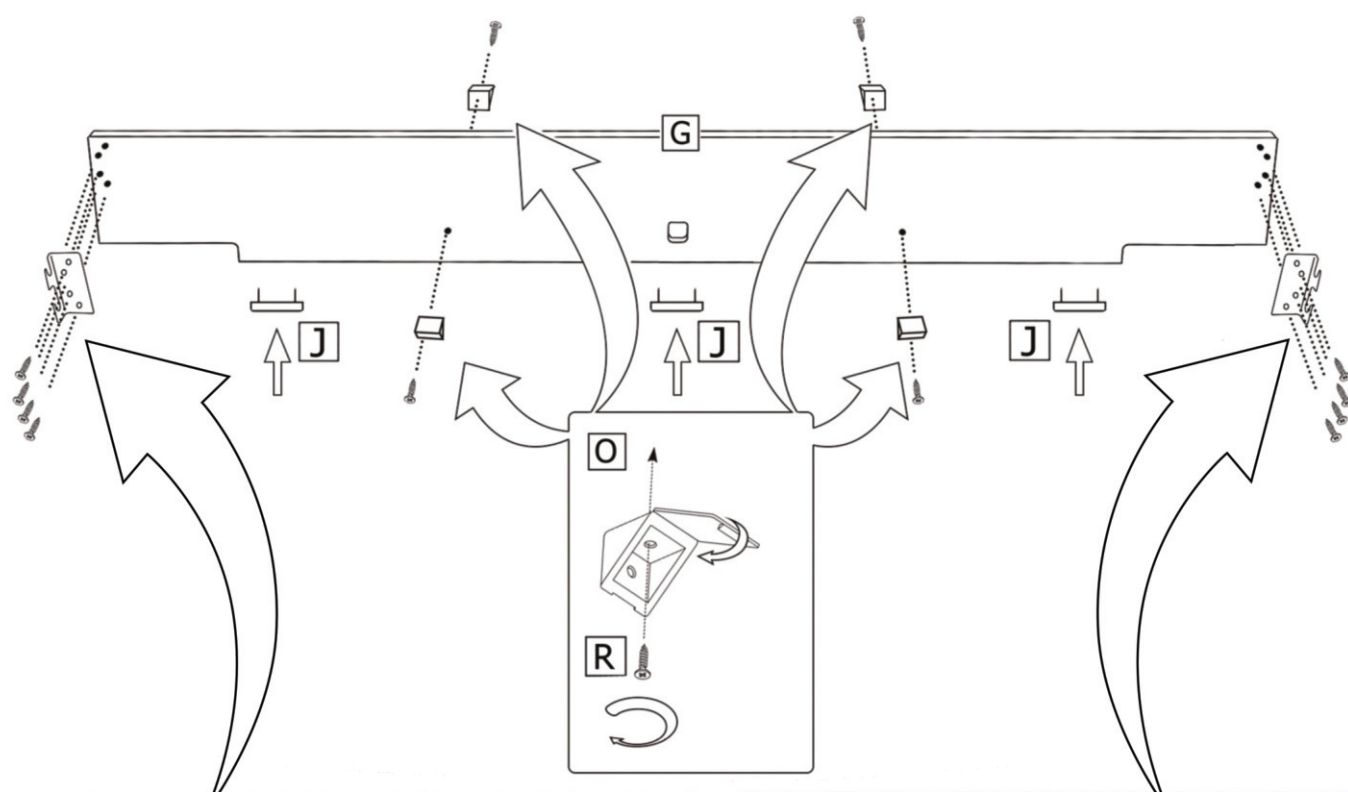
4



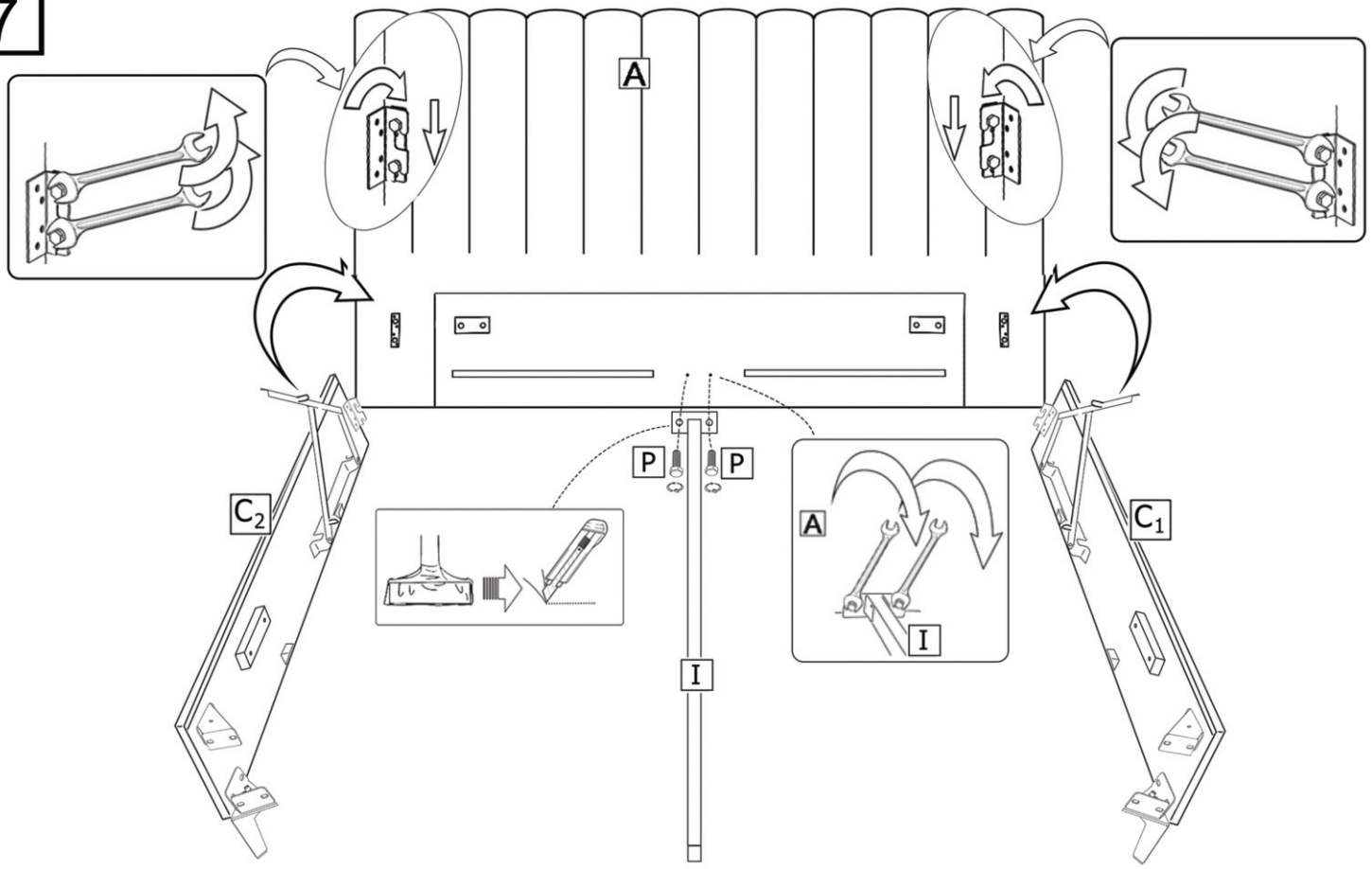
5



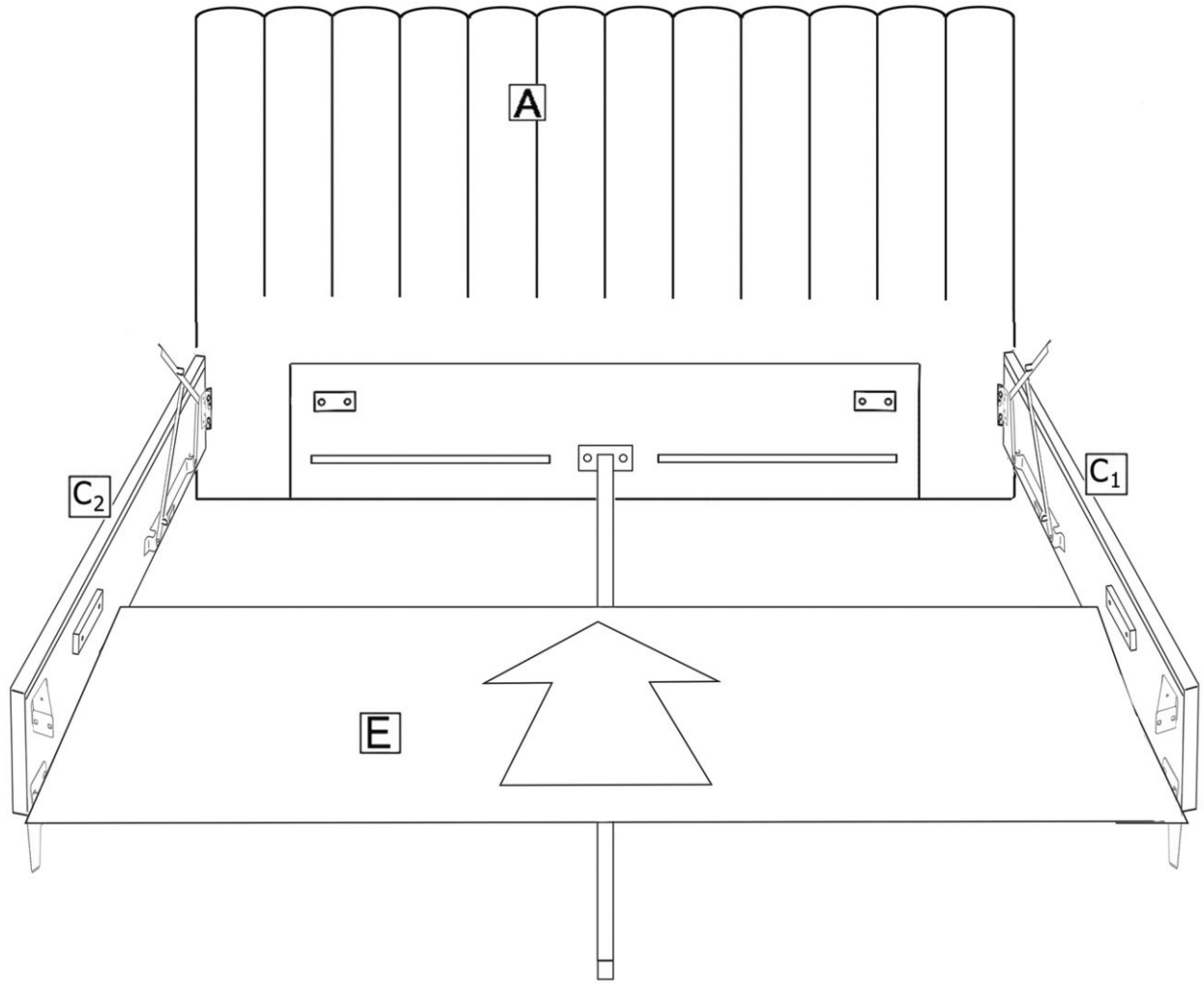
6



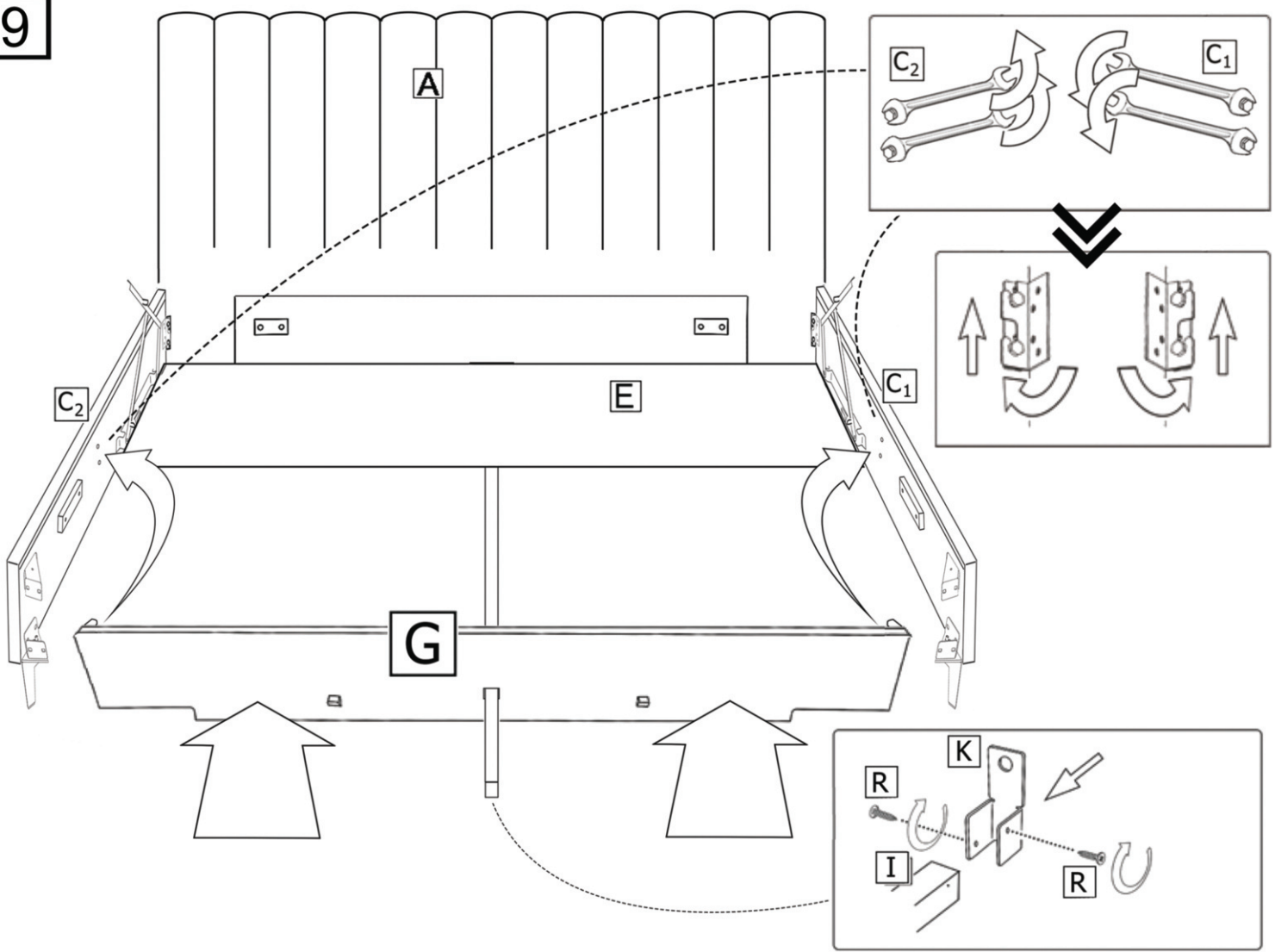
7



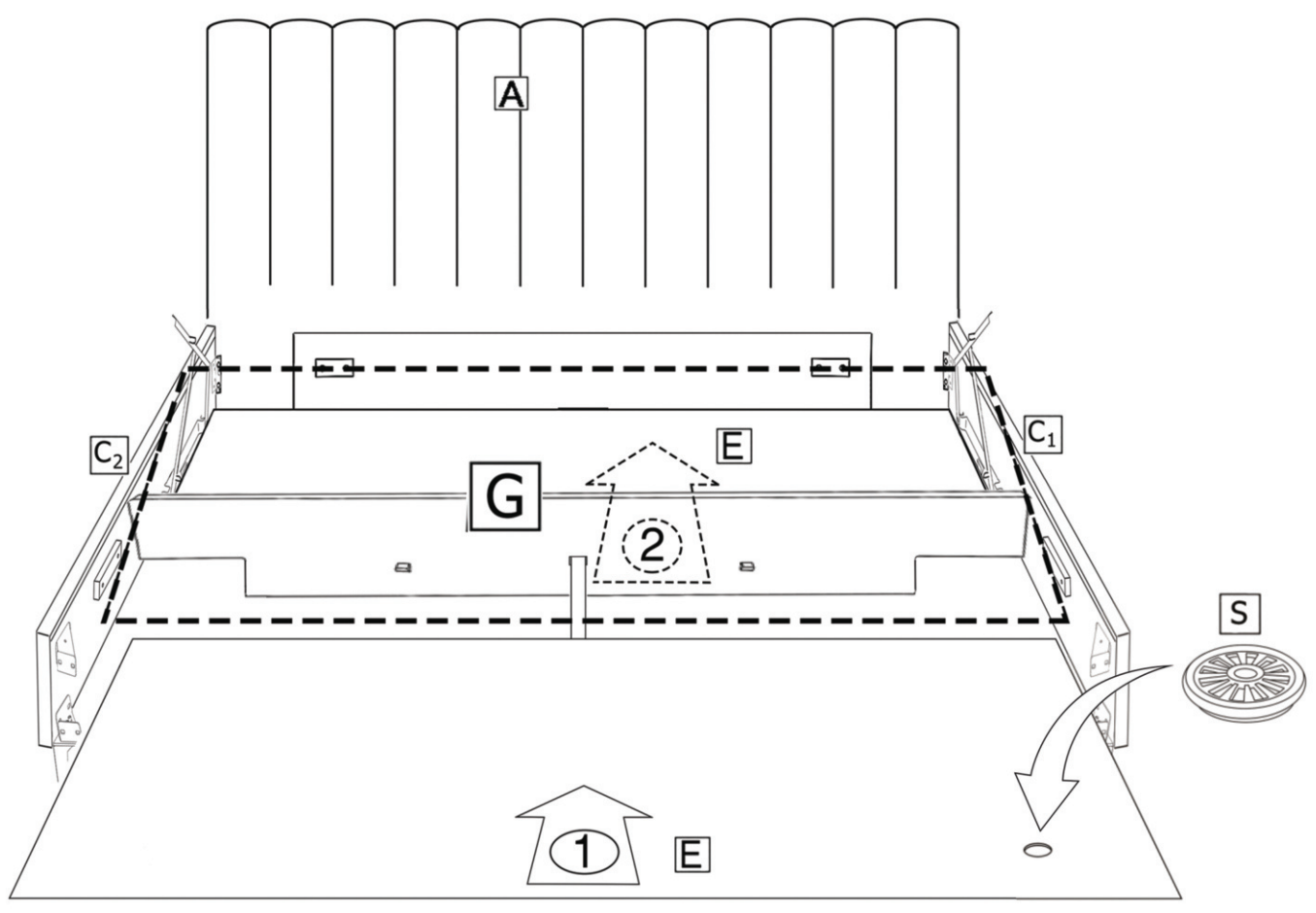
8



9



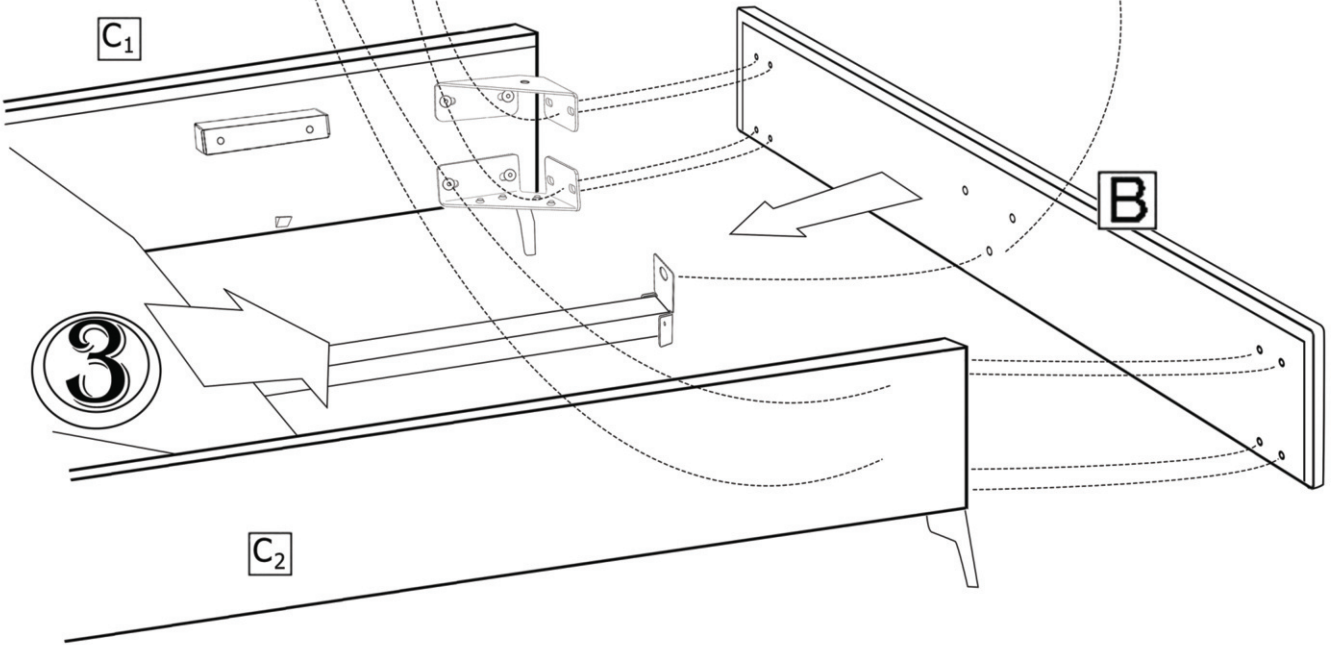
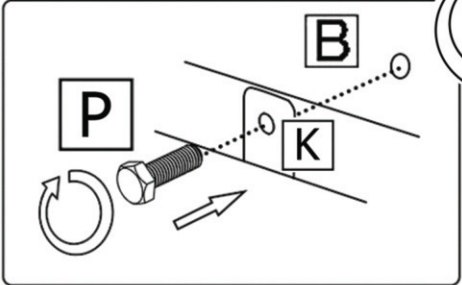
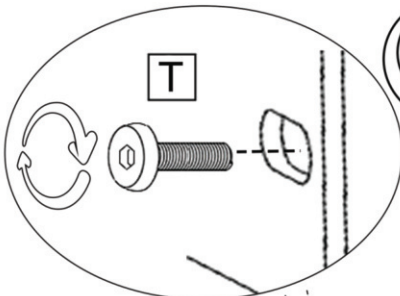
10



11

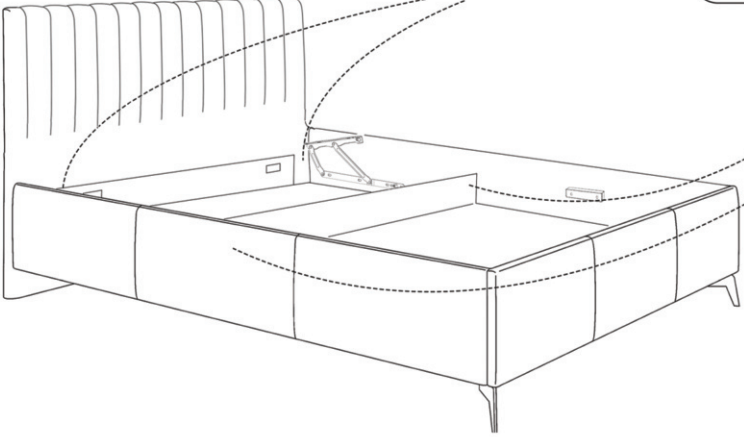
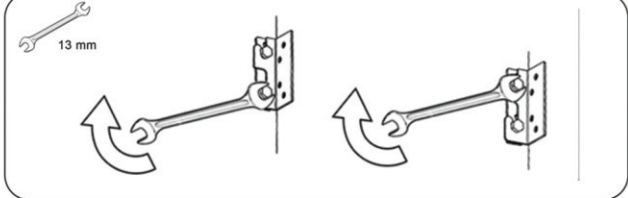
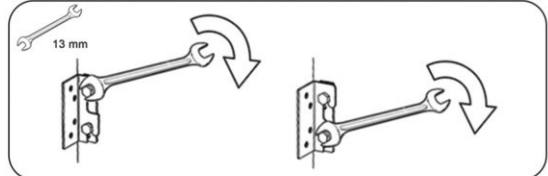
1

2

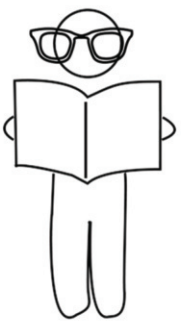
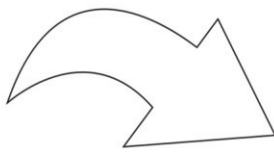
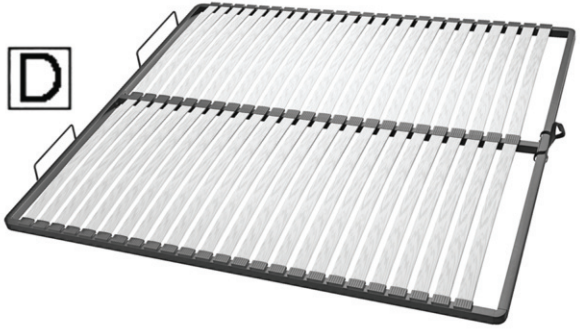


3

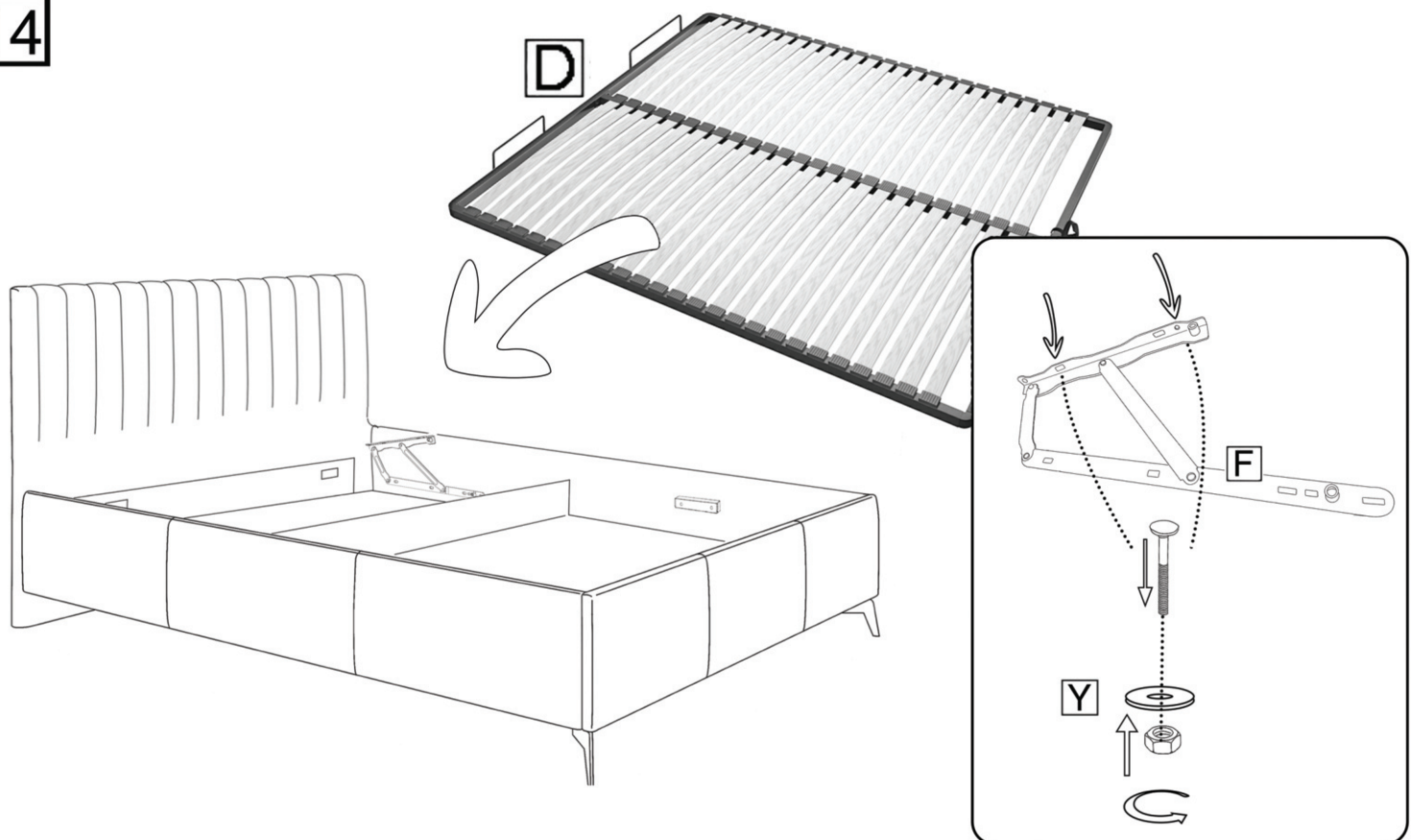
12



13



14



15

